

Stressfree NG Mini 50 Freefall EW (Extra Wide)

Suitable for boats: 13.5ft – 26ft / 4 – 8m
(with a maximum boat weight 2.5 tons)

Maximum boat weight: 2.5 tons

The Stressfree NG Mini 50 Freefall EW is designed to suit shallow anchor wells. This Stressfree Marine winch is strong, robust and super-fast, and has a patented freefall of up to 5 times faster than competing winches.

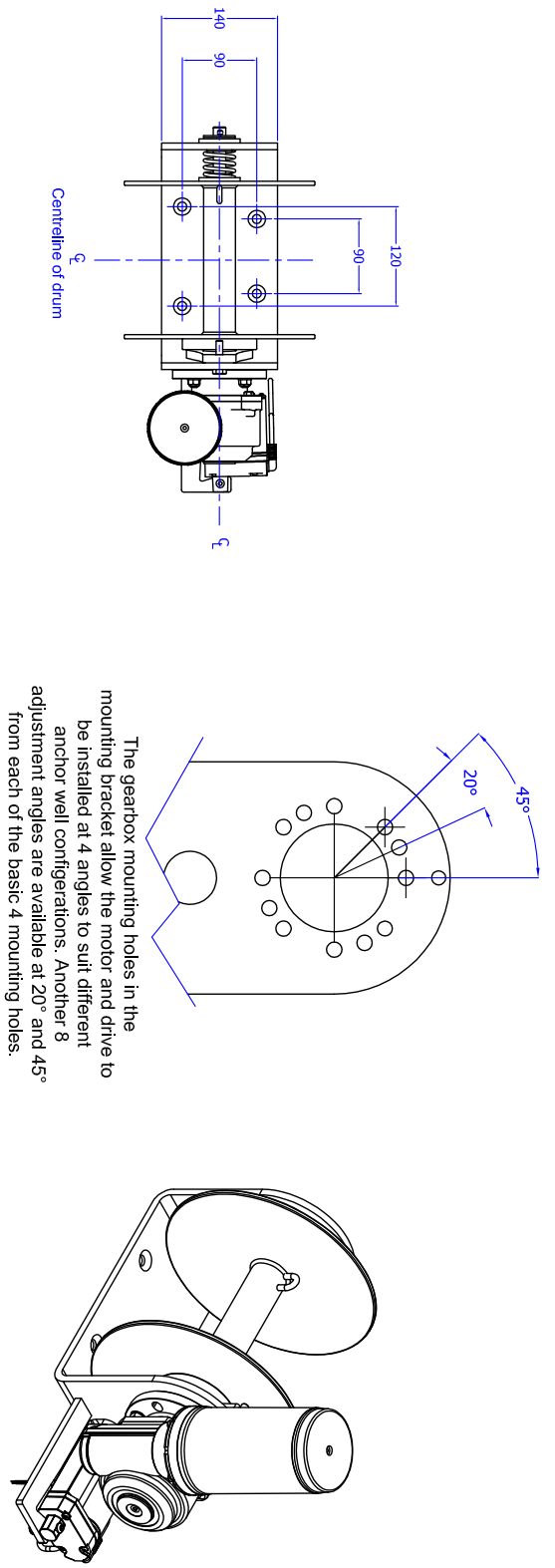
Product	Line Speed Max
NG Mini 50 Freefall EW	170 feet p/m / 52m per minute
Baseplate	Diameter Drum
0.31" / 8mm pressed	9.05" / 230mm
Voltage	Gearbox
12v	50S
Motor power with High Torque	Emergency Manual Override
500watt	√
Shaft size	Winch Weight
0.98" / 25mm	48.50lbs / 20kgs



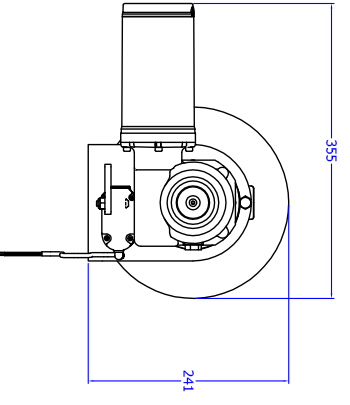
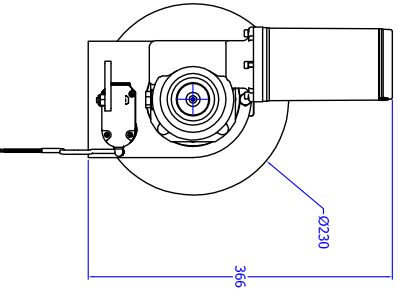
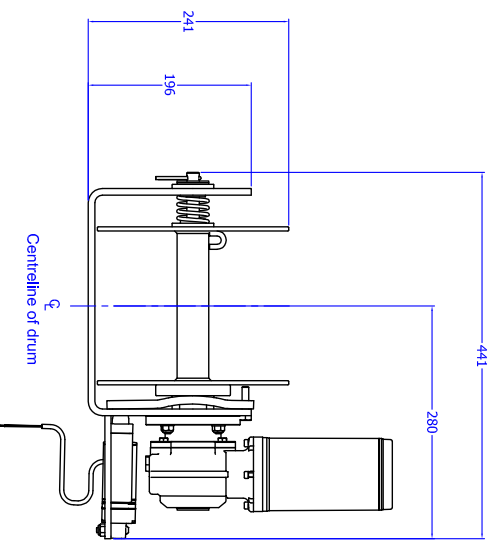
The Stressfree NG Mini 50 Freefall EW anchor winch also features:

- Adaptable fit and varied mounting options, with the ability to reset the gearbox and motor assembly in 8 different configurations to best suit your anchor well
- Optional deck mounting
- One-touch precision anchoring for fast deployment and minimal drift to make anchoring a breeze
- All rope and chain is spooled on and off the drum
- Premium quality Italian motor and gearbox
- Waterproof 80amp circuit breaker with thermal overload cut-out
- 50 series double anodised gearbox to prevent corrosion
- Solid stainless steel drive shaft
- Grease impregnated acetyl bush for superior performance
- Constructed from 316 L grade marine stainless steel
- Optional Pro-series guards upgrade
- Optional waterproof wireless remote
- 5-year warranty
- **Drum capacity options:**
 - o 70 m of 8mm nylon spliced with 6 meters of short link chain
 - o 80 meters of 6mm double braid eye spliced to 5 meters of 8mm nylon spliced to 6 meters of 6mm short link chain

**Recommend dual batteries with the battery switch set to BOTH*



The gearbox mounting holes in the mounting bracket allow the motor and drive to be installed at 4 angles to suit different anchor well configurations. Another 8 adjustment angles are available at 20° and 45° from each of the basic 4 mounting holes.



© COPYRIGHT 2017
Stressfree Marine Pty.Ltd.

REVISION		Drawn	Apprv.	Date	ANGLES ±	SCALE		MATERIAL		FINISH		DO NOT SCALE		DRAWING No.	
Issue	Ref.						Drawn	R/R	316 Stainless Steel	Satin	DIMENSIONS IN MILLIMETRES UNLESS OTHERWISE STATED		TBA		
1		revise to show manual over ride.		17.4.15	HOLE DIM. ±	Design OK	Checked		stressfree marine Pty Ltd®	NG Mini 50 Freerfall EW	UNLESS OTHERWISE STATED				
2		revise to show 8mm thick Mounting Plate		24.5.16	1 DEC. PL. ±	Approved									
3		revise to remove motor/gearbox adaptor		23/4/17	NO DEC. ±										