

Stressfree NG Mighty Freefall

Suitable for boats: 19.5ft – 40ft / 6 – 12m

Maximum boat weight: 5 tons

The Stressfree NG Mighty Freefall winch is strong, robust and super-fast, and has a patented freefall of up to 5 times faster than competing winches.

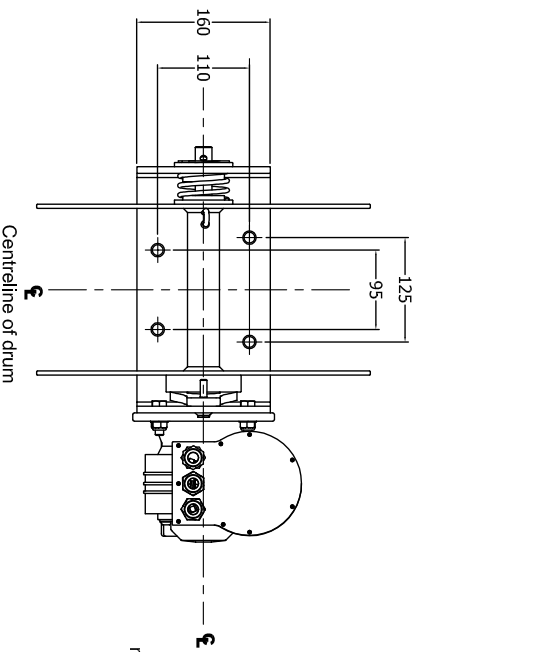
Product	Line Speed Max
NG Mighty Freefall	326 feet per min. / 99.5 meters per min.
Baseplate	Diameter Drum
0.31" / 8mm welded	15.75" / 400mm
Voltage	Gearbox
12v or 24v	63S
Motor power with High Torque	Emergency Manual Override
1700watt	√
Shaft size	Winch Weight
1.25" / 32mm	97lbs or 46kgs



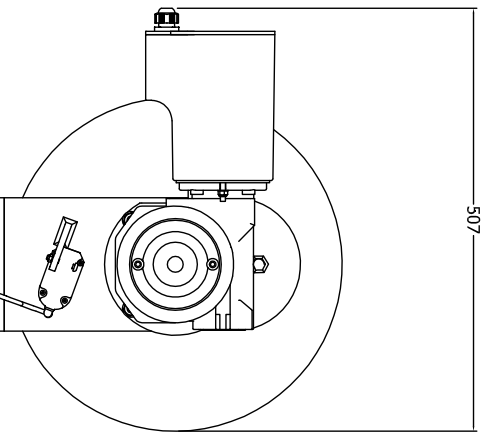
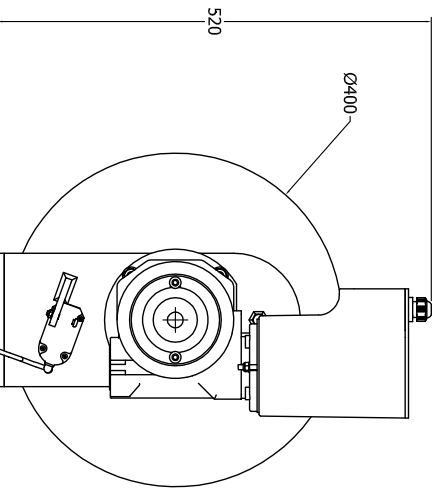
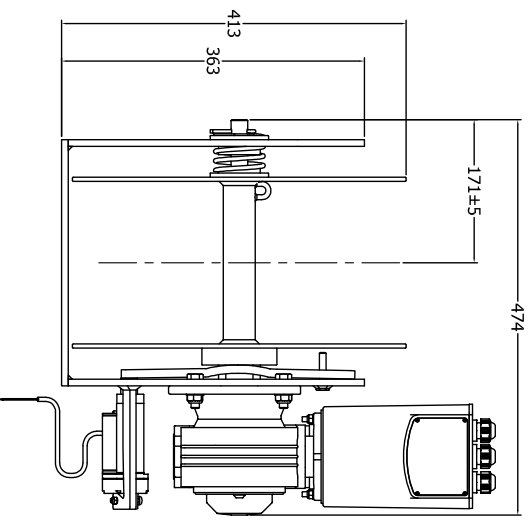
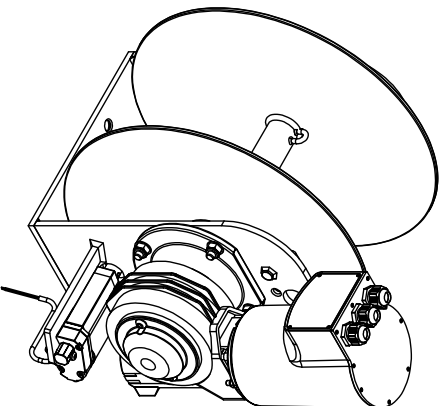
The Stressfree NG Mighty Freefall anchor winch also features:

- Adaptable fit and varied mounting options, with the ability to reset the gearbox and motor assembly in 8 different configurations to best suit your anchor well
 - Optional deck mounting
 - One-touch precision anchoring for fast deployment and minimal drift to make anchoring a breeze
 - All rope and chain is spooled on and off the drum
 - Premium quality Italian motor and gearbox
 - Waterproof 135amp circuit breaker with thermal overload cut-out
 - 63 series gearbox
 - Solid stainless steel drive shaft
 - Grease impregnated acetyl bush for superior performance
 - Constructed from 316 L grade marine stainless steel
 - Optional Pro-series guards upgrade
 - Optional waterproof wireless remote
 - 5-year warranty
- **Drum capacity options:**
- o 165m of 8mm double braid eye spliced to 5m nylon spliced to 8m of 8mm short link chain
 - o 130m of 10mm nylon spliced to 8 meters of 8mm short link chain
 - o 100m of 12mm nylon spliced to 8 meters of 8mm short link chain

**Recommend dual batteries with the battery switch set to BOTH*



The gearbox mounting holes in the mounting bracket allow the motor and drive to be installed at 4 angles to suit different anchor well configurations. Another 8 minor angle adjustments are available between the gearbox and gearbox flange.



© COPYRIGHT 2008
Stressfree Marine Pty. Ltd.

TOLERANCES		SCALE		MATERIAL		FINISH		DO NOT SCALE	
Unless otherwise stated		Drawn		316 Stainless Steel		Chemically Polished		DIMENSIONS IN MILLIMETRES	
NO DEC. ±		Checked						UNLESS OTHERWISE STATED	
1 DEC. PL. ±		Design OK							
2 DEC. PL. ±		Approved							
HOLE DIM. ±		DATE							
ANGLES ±		23/09/08							
REVISION		DRAWN		stressfree marine Pty Ltd®		NAME		DRAWING No.	
Revise to Motor terminal reversed		Drawn				NG Mighty Anchor Winch		SF02117	
Revise to Motor vertical		Appn.							
Date		Date							
19.4.15		Date							