

Stressfree Mighty Standard

Suitable for boats: up to 19.5ft – 40ft / 6-12m
Maximum boat weight: 5 tons

The Mighty Standard winch is strong, robust and super-fast, and has a patented freefall of up to 5 times faster than competing winches.

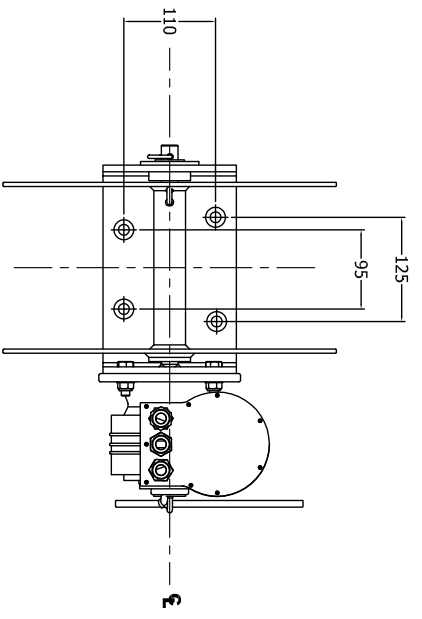
Product	Line Speed Max
Mighty Standard	326 feet per min. / 99.5 meters per min
Baseplate	Diameter Drum
0.31" / 8mm welded	15.75" / 400mm
Voltage	Gearbox
12v or 24v	63S
Motor power with High Torque	Emergency Manual Override
1700watt	√
Shaft size	Winch Weight
1.25" / 32mm	97lbs or 44kgs

The Mighty Standard anchor winch also features:

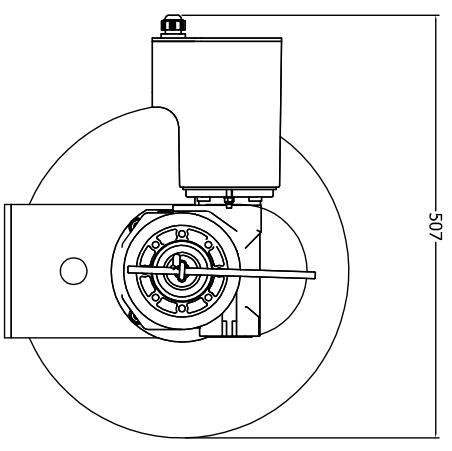
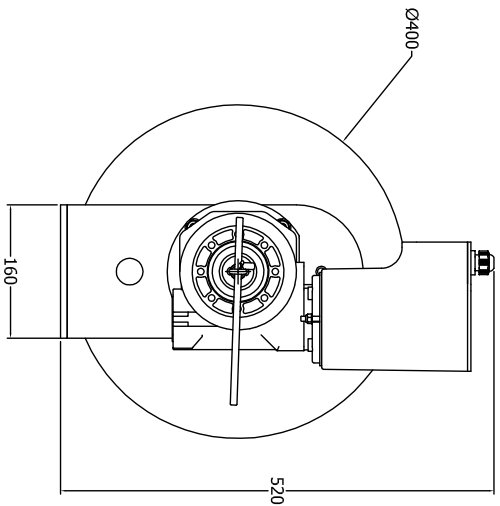
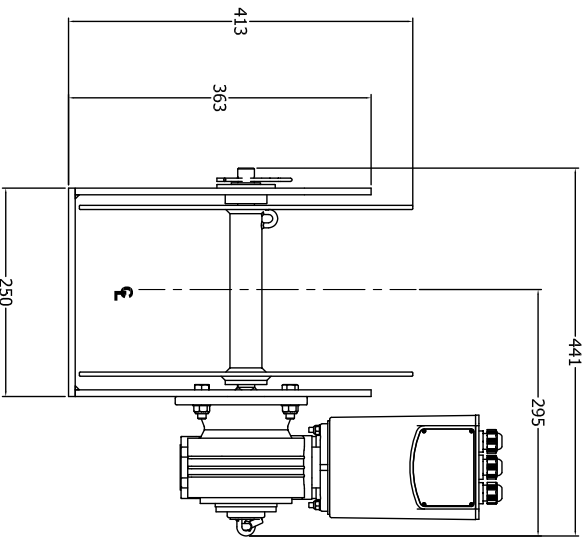
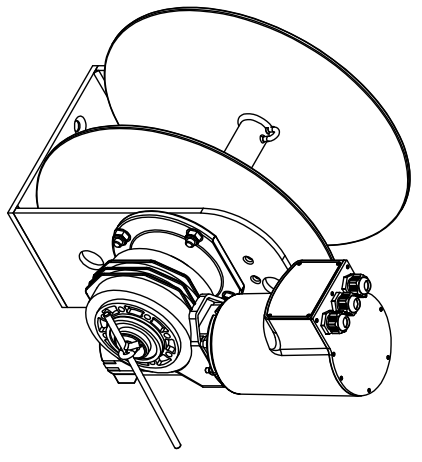
- Adaptable fit and varied mounting options, with the ability to reset the gearbox and motor assembly in 8 different configurations to best suit your anchor well
- Optional deck mounting
- Premium quality Italian motor and gearbox
- Waterproof 135amp circuit breaker with thermal overload cut-out
- 63 series gearbox
- Solid stainless steel drive shaft
- Grease impregnated acetyl bush for superior performance
- Constructed from 316 L grade marine stainless steel
- All rope and chain is powered on and off the drum
- Optional waterproof wireless remote
- 5-year warranty
- **Drum capacity options:**
 - o 165m of 8mm double braid eye spliced to 5m of nylon spliced to 8m of 8mm short link chain
 - o 130m of 10mm nylon spliced to 8m of 8mm short link chain
 - o 100m of 12mm nylon spliced to 8m of 8mm short link chain

**Recommend dual batteries with the battery switch set to BOTH*





The gearbox mounting holes in the mounting bracket allow the motor and drive to be installed at 4 angles to suit different anchor well configurations. Another 8 minor angle adjustments are available between the gearbox and gearbox flange.



© COPYRIGHT 2008
Stressfree Marine Pty. Ltd.

TOLERANCES Unless otherwise stated		SCALE	MATERIAL	FINISH		DO NOT SCALE DIMENSIONS IN MILLIMETRES UNLESS OTHERWISE STATED		DRAWING No.		
NO DEC. ±		Drawn	316 Stainless Steel	Chemically Polished				SF02049		
1 DEC. Pl. ±		Checked	stressfree marine Pty Ltd [®]	Mighty Anchor Winch						
2 DEC. Pl. ±		Design OK		NAME	Layout					
HOLE DIM. ±		Approved		Mighty Anchor Winch						
ANGLES ±		DATE								
Issue	Rev.	REVISION	Drawn	Appr.	Date					
2		Revise to show motor connectors reversed			1.5.15					