

Stressfree Midi 50 Standard

Suitable for boats: up to 13.5ft – 26ft / 4-8m
Maximum boat weight: 2.5 tons

The Midi 50 Standard winch is strong, robust and extremely fast.

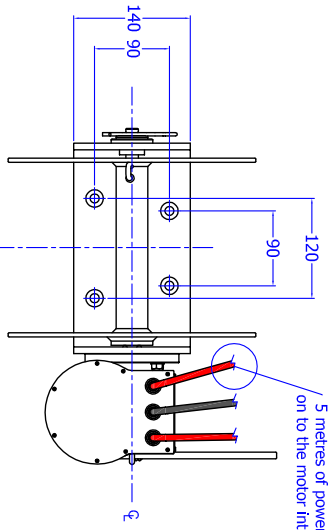
Product	Line Speed Max
Midi 50 Standard	243 feet per min. / 74 meters per min.
Baseplate	Diameter Drum
0.31" / 8mm pressed	11.81" / 300mm
Voltage	Gearbox
12v	50S
Motor power with High Torque	Emergency Manual Override
1400watt	√
Shaft size	Winch Weight
0.98" / 25mm	61lbs / 28kgs

The Midi 50 Standard anchor winch also features:

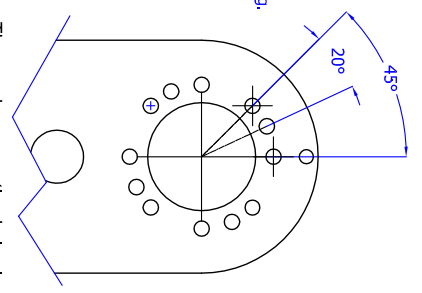
- Adaptable fit and varied mounting options, with the ability to reset the gearbox and motor assembly in 8 different configurations to best suit your anchor well
 - Optional deck mounting
 - Premium quality Italian motor and gearbox
 - Waterproof 135amp circuit breaker with thermal overload cut-out
 - 50 series double anodised gearbox to prevent corrosion
 - 1400watt Motor with Cover, sealed with 5 meters of cable
 - Solid stainless steel drive shaft
 - Grease impregnated acetyl bush for superior performance
 - Optional Pro-series guards upgrade
 - Constructed from 316 L grade marine stainless steel
 - All rope and chain is powered on and off the drum
 - Optional waterproof wireless remote
 - 5-year warranty
- **Drum capacity options:**
- o 110m of 8mm nylon spliced to 8m of 8mm short link chain
 - o 200m of 6mm double braid eye spliced to 5m of 8mm nylon spliced to 8 meters of 8mm short link chain

**Recommend dual batteries with the battery switch set to BOTH*

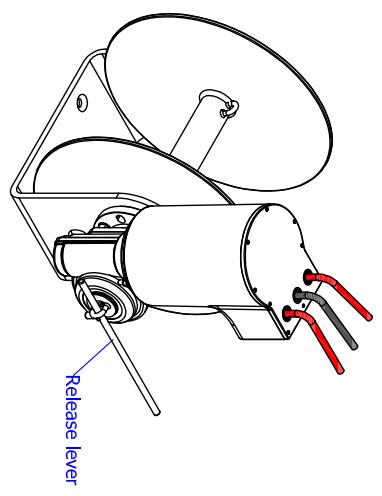




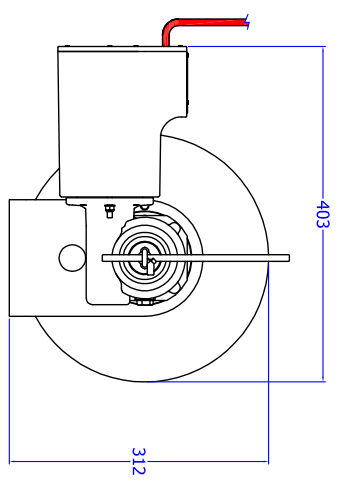
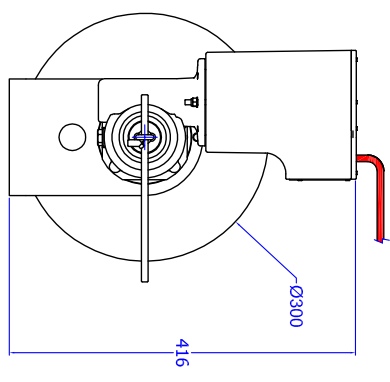
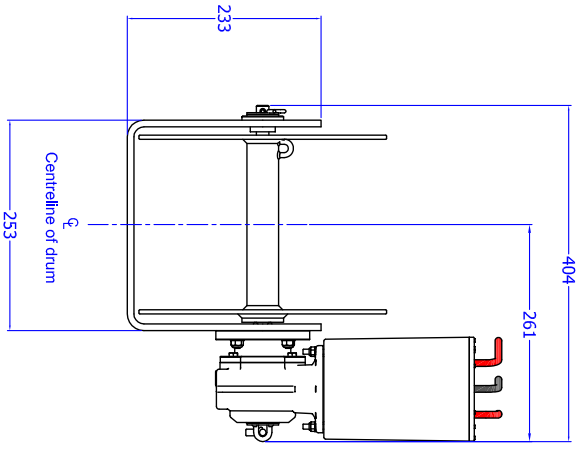
5 metres of power cable pre-installed on to the motor into waterproof housing.



The gearbox mounting holes in the mounting bracket allow the motor and drive to be installed at 4 angles to suit different anchor well configurations. Another 8 adjustment angles are available at 20° and 45° from each of the basic 4 mounting holes.



Note: the release lever is shown as it is included with the product but is only placed on the winch in emergency situations.



© COPYRIGHT 2017
Stressfree Marine Pty.Ltd.

TOLERANCES		SCALE		MATERIAL		FINISH		DO NOT SCALE	
Unless otherwise stated		Drawn R/R		316 Stainless Steel		Satin		DIMENSIONS IN MILLIMETRES	
UNLESS OTHERWISE STATED		Checked						UNLESS OTHERWISE STATED	
11.4.17 NO DEC. ±		Design OK						NAME	
30.4.16 1 DEC. PL. ±		Approved						Midi 50 Standard	
17.4.15 2 DEC. PL. ±		DATE		2/05/08				DRAWING No.	
17.4.15 HOLE DIM. ±								TBA	
17.4.15 ANGLES ±									
REVISION		Drawn		Apprv.		Date			
Issue		Ref.							
1				revise to show manual over ride.					
2				revise to show 8mm thick Mounting Plate					
3				revise to include motor cover					