

Stressfree NG Mini 50 Freefall

Suitable for boats: 13.5ft – 26ft / 4 – 8m
Maximum boat weight: 2.5 tons

The Stressfree NG Mini 50 Freefall winch is strong, robust and super-fast and has a patented freefall of up to 5 times faster than competing winches.

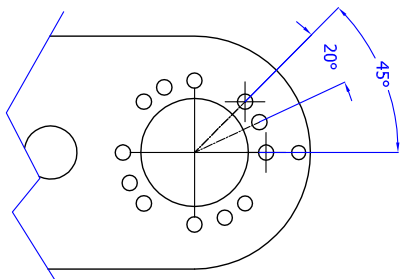
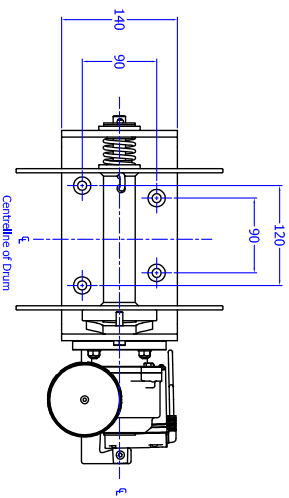
Product	Line Speed Max
NG Mini 50 Freefall	170 feet p/m / 52m per minute
Baseplate	Diameter Drum
0.31" / 8mm pressed	9.84" / 250mm
Voltage	Gearbox
12v	50S
Motor power with High Torque	Emergency Manual Override
500watt	√
Shaft size	Winch Weight
0.98" / 25mm	48.50lbs / 20kgs



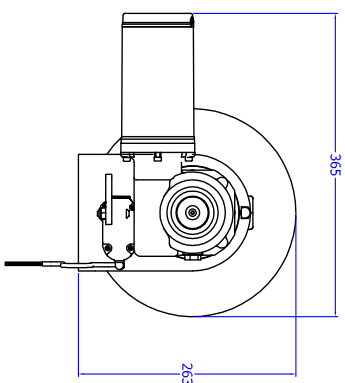
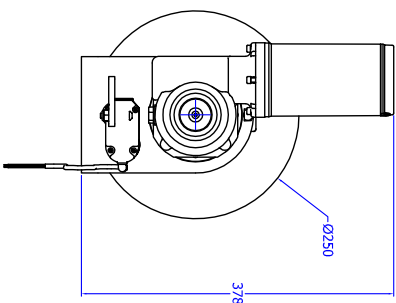
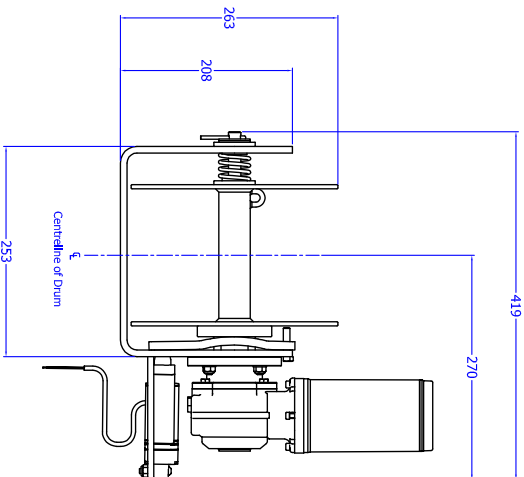
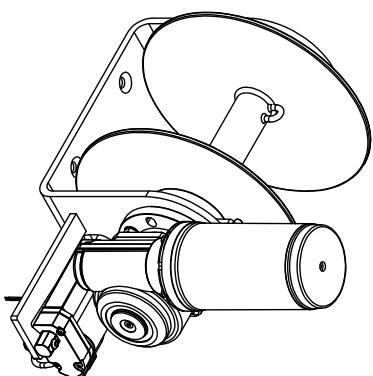
The Stressfree NG Mini 50 Freefall anchor winch also features:

- Adaptable fit and varied mounting options, with the ability to reset the gearbox and motor assembly in 8 different configurations to best suit your anchor well
- Optional deck mounting
- One-touch precision anchoring for fast deployment and minimal drift to make anchoring a breeze
- All rope and chain is spooled on and off the drum
- Premium quality Italian motor and gearbox
- Waterproof 80amp circuit breaker with thermal overload cut-out
- 50 series double anodised gearbox to prevent corrosion
- Solid stainless steel drive shaft
- Grease impregnated acetyl bush for superior performance
- Constructed from 316 L grade marine stainless steel
- Optional Pro-series guards upgrade
- Optional waterproof wireless remote
- 5-year warranty
- **Drum capacity options:**
 - o 70 m of 8mm nylon spliced with 6 meters of short link chain
 - o 80 meters of 6mm double braid eye spliced to 5 meters of 8mm nylon spliced to 6 meters of 6mm short link chain

**Recommend dual batteries with the battery switch set to BOTH*



The gearbox mounting holes in the mounting bracket allow the motor and drive to be installed at 4 angles to suit different anchor well configurations. Another 8 adjustment angles are available at 20° and 45° from each of the basic 4 mounting holes.



© COPYRIGHT 2017
Stressfree Marine Pty.Ltd.

		TOLERANCES		SCALE		MATERIAL		FINISH		DO NOT SCALE		DRAWING No.	
		Unless otherwise stated		Drawn R/R		316 Stainless Steel		Satin		DIMENSIONS IN MILLIMETRES		UNLESS OTHERWISE STATED	
3		revise to remove Motor/Geotrox spacer	20.4.17	NO DEC. ±	Checked					UNLESS OTHERWISE STATED			
2		revise to show 8mm thick Mounting Plate	26.4.16	1 DEC. Pl. ±	Design OK					UNLESS OTHERWISE STATED			
1		revise to show manual over ride.	17.4.15	2 DEC. Pl. ±	Approved					UNLESS OTHERWISE STATED			
Issue	Ref.	REVISION	Drawn	Apprv.	Date	ANGLES ±	DATE	2/05/08		NAME		DRAWING No.	
								stressfree marine Pty Ltd®		NG Mini 50 Freefall		TBA	