

Stressfree NG Midi 50 Freefall

Suitable for boats: 13.5ft – 26ft / 4 – 8m
Maximum boat weight: 2.5 tons

The Stressfree NG Midi 50 Freefall winch is strong, robust and super-fast, and has a patented freefall of up to 5 times faster than competing winches.

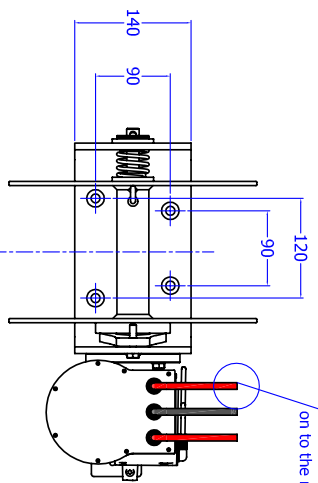
Product	Line Speed Max
NG Midi 50 Freefall	243 feet per min. / 74 meters per min.
Baseplate	Diameter Drum
0.31" / 8mm pressed	11.81" / 300mm
Voltage	Gearbox
12v	50S
Motor power with High Torque	Emergency Manual Override
1400watt	√
Shaft size	Winch Weight
0.98" / 25mm	64lbs / 29kgs

The Stressfree NG Midi 50 Freefall anchor winch also features:

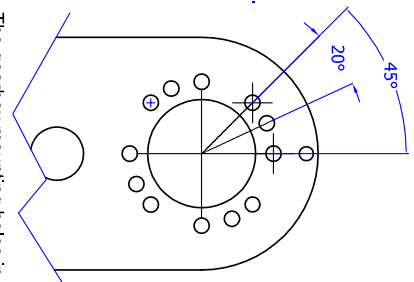
- Adaptable fit and varied mounting options, with the ability to reset the gearbox and motor assembly in 8 different configurations to best suit your anchor well
 - Optional deck mounting
 - One-touch precision anchoring for fast deployment and minimal drift to make anchoring a breeze
 - All rope and chain is spooled on and off the drum
 - Premium quality Italian motor and gearbox
 - Waterproof 135amp circuit breaker with thermal overload cut-out
 - 50 series double anodised gearbox to prevent corrosion
 - 1400watt Motor with Cover, sealed with 5 meters of cable
 - Solid stainless steel drive shaft
 - Grease impregnated acetyl bush for superior performance
 - Constructed from 316 L grade marine stainless steel
 - Optional Pro-series guards upgrade
 - Optional waterproof wireless remote
 - 5-year warranty
- **Drum capacity options:**
- o 90 m of 8mm nylon spliced with 8 meters of short link chain
 - o 160 meters of 6mm double braid eye spliced to 5 meters of 8mm nylon spliced to 8 meters of 8mm short link chain

**Recommend dual batteries with the battery switch set to BOTH*

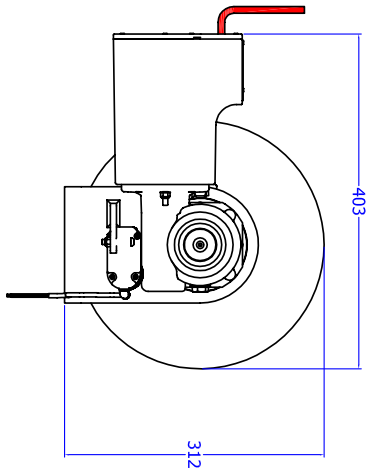
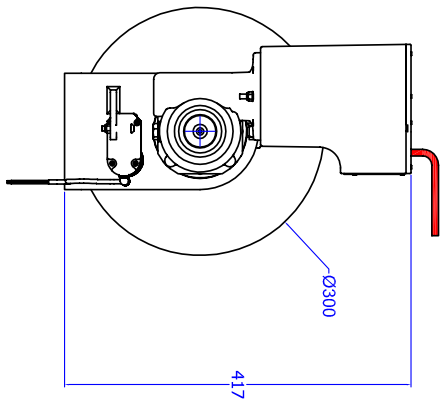
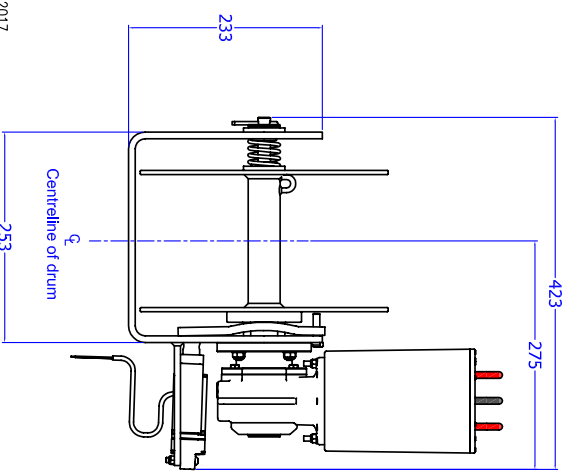
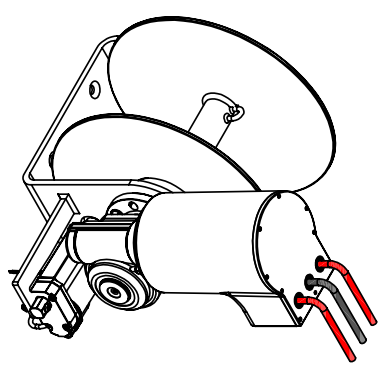




5 metres of power cable pre-installed on to the motor into waterproof housing.



The gearbox mounting holes in the mounting bracket allow the motor and drive to be installed at 4 angles to suit different anchor well configurations. Another 8 adjustment angles are available at 20° and 45° from each of the basic 4 mounting holes.



© COPYRIGHT 2017
Stressfree Marine Pty.Ltd.

		TOLERANCES		SCALE		MATERIAL	
		Unless otherwise stated		Drawn		316 Stainless Steel	
		NO DEC. ±		Checked		FINISH	
		1 DEC. PL. ±		Design OK		Satin	
		2 DEC. PL. ±		Approved		DO NOT SCALE	
		HOLE DIM. ±		DATE		DIMENSIONS IN MILLIMETRES	
		ANGLES ±		2/05/08		UNLESS OTHERWISE STATED	
Issue		REVISION		Drawn		NAME	
1		revised to include motor cover		Apprv.		NG Midi 50 Freefall	
2		revised to show 6mm thick Mounting Plate		Date		DRAWING No.	
1				11.4.17		TBA	
1				30.4.16			
1				HOLE DIM. ±			
1				ANGLES ±			