

Stressfree Mini Me Standard

Suitable for boats: up to 18.5ft / 5.5m
Maximum boat weight: 1.5 tons

The Mini Me Standard winch is strong, robust and extremely fast.

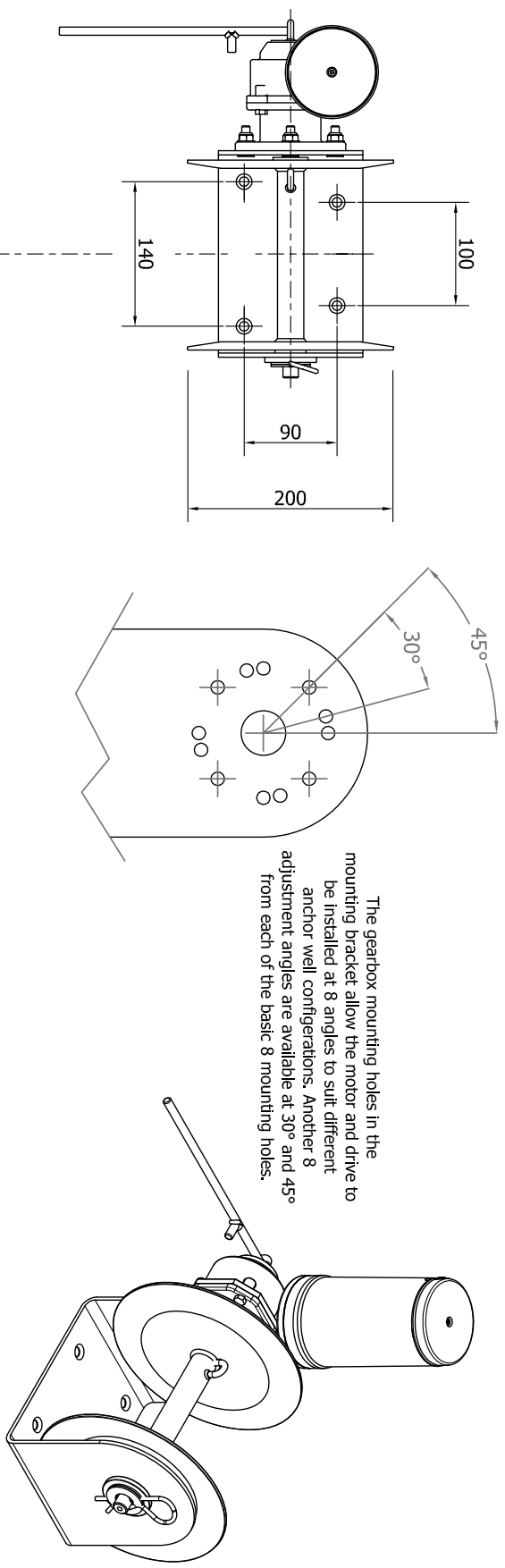
Product	Line Speed Max
Mini Me Standard	138 feet per min. / 42 meters per min
Baseplate	Diameter Drum
4mm pressed	200mm or 7.84"
Voltage	Gearbox
12v	40S
Motor power with High Torque	Emergency Manual Override
300watt	✓
Shaft size	Winch Weight
18mm or 0.71"	26.45lbs or 12kg

The Mini Me Standard anchor winch also features:

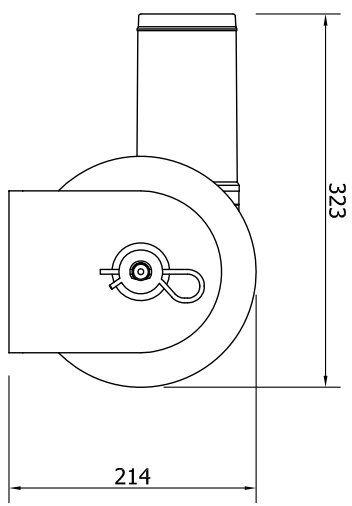
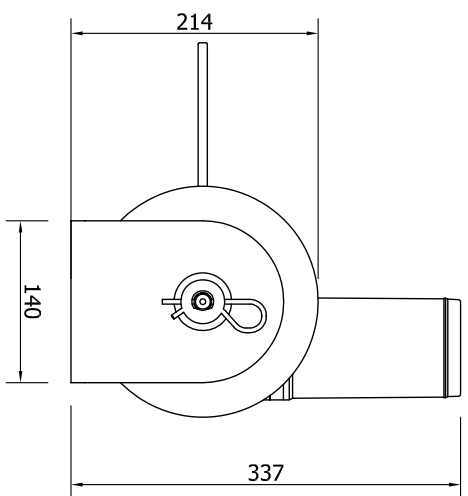
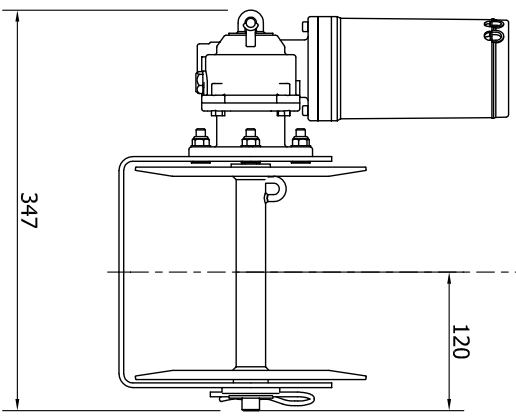
- Adaptable fit and varied mounting options, with the ability to reset the gearbox and motor assembly in 8 different configurations to best suit your anchor well
- Optional deck mounting
- Premium quality Italian motor and gearbox
- Waterproof 80amp circuit breaker with thermal overload cut-out
- 40 series double anodised gearbox to prevent corrosion
- Drum capacity:
60 meters of 6mm double braid eye spliced to 3 meters of 8mm nylon spliced to 4 meters of 6mm short link chain
- Solid stainless steel drive shaft
- Grease impregnated acetyl bush for superior performance
- Constructed from 316 L grade marine stainless steel
- All rope and chain is powered on and off the drum
- Optional waterproof wireless remote
- 3-year warranty

**Recommend dual batteries with the battery switch set to BOTH*





The gearbox mounting holes in the mounting bracket allow the motor and drive to be installed at 8 angles to suit different anchor well configurations. Another 8 adjustment angles are available at 30° and 45° from each of the basic 8 mounting holes.



© COPYRIGHT 2014
stressfree marine Pty Ltd

Issue		Ref.		Drawn		Apprv.		Date		TOLERANCES Unless otherwise stated		SCALE		MATERIAL		FINISH		DO NOT SCALE DIMENSIONS IN MILLIMETRES UNLESS OTHERWISE STATED		DRAWING No.	
2				REVISION				8/5/15		NO DEC. ± 1 DEC. PL. ± 2 DEC. PL. ± HOLE DIM. ± ANGLES ±		Drawn Checked Design OK Approved		316 Stainless Steel		Chemically Polished				SF02735	
														stressfree marine Pty Ltd®		Mini Me Layout					