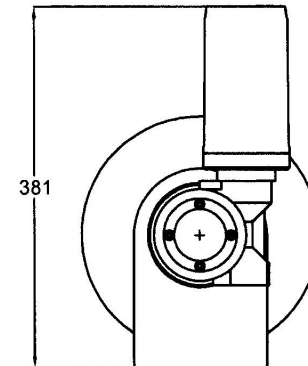
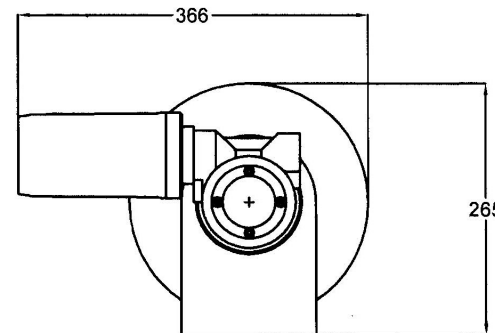
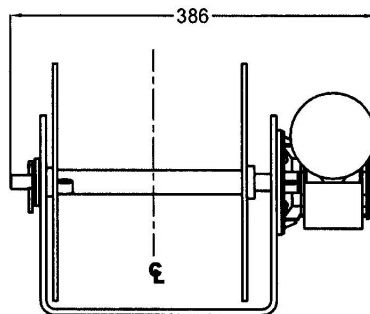
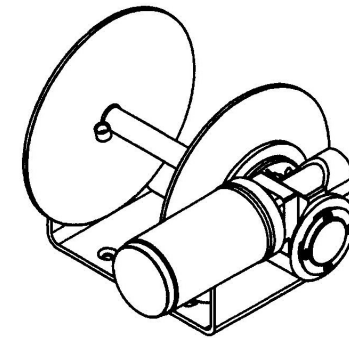


The gearbox mounting holes in the mounting bracket allow the motor and drive to be installed at 4 angles to suit different anchor well configurations. Another 8 adjustment angles are available at 30° and 45° from each of the basic 4 mounting holes.



© COPYRIGHT 2008

						<b>TOLERANCES</b> Unless otherwise stated NO DEC. ± 1 DEC. PL ± 2 DEC. PL ± HOLE DIAM. ± ANGLES ±		<b>SCALE</b> Drawn RJR Checked Design OK Approved DATE 2/05/08		<b>MATERIAL</b> 316 Stainless Steel  <b>stressfree marine Pty Ltd®</b>		<b>FINISH</b> Chemically Polished		<b>DO NOT SCALE</b> <b>DIMENSIONS IN MILLIMETRES</b> UNLESS OTHERWISE STATED			
<b>Issue</b>	<b>Ref.</b>	<b>REVISION</b>		<b>Drawn</b>	<b>Apprv.</b>	<b>Date</b>					<b>NAME</b> Mini Anchor winch (Small)		<b>DRAWING No.</b>				