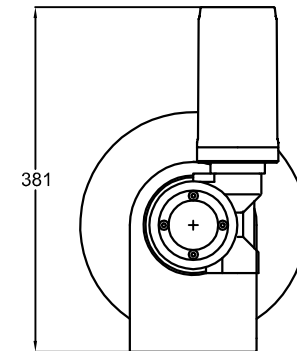
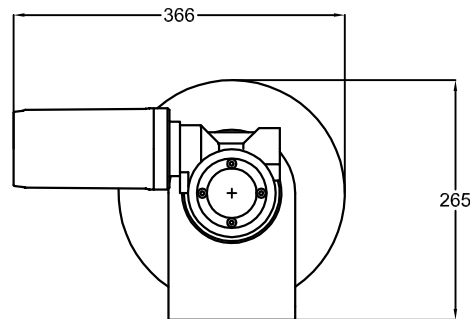
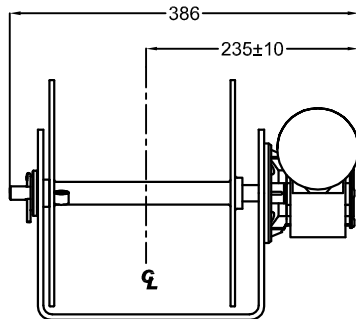
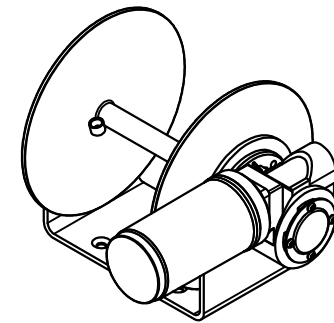


The gearbox mounting holes in the mounting bracket allow the motor and drive to be installed at 4 angles to suit different anchor well configurations. Another 8 adjustment angles are available at 30° and 45° from each of the basic 4 mounting holes.



© COPYRIGHT 2008

						TOLERANCES Unless otherwise stated NO DEC. ± 1 DEC. PL ± 2 DEC. PL ± HOLE DIAM. ± ANGLES ±		SCALE Drawn RJR Checked Design OK Approved DATE 2/05/08		MATERIAL 316 Stainless Steel stressfree marine Pty Ltd®		FINISH Chemically Polished		DO NOT SCALE DIMENSIONS IN MILLIMETRES UNLESS OTHERWISE STATED			
Issue	Ref.	REVISION		Drawn	Apprv.	Date					NAME Mini Anchor winch (Small)		DRAWING No.				