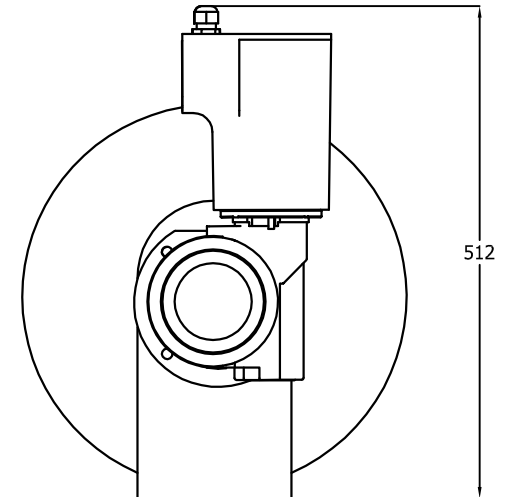
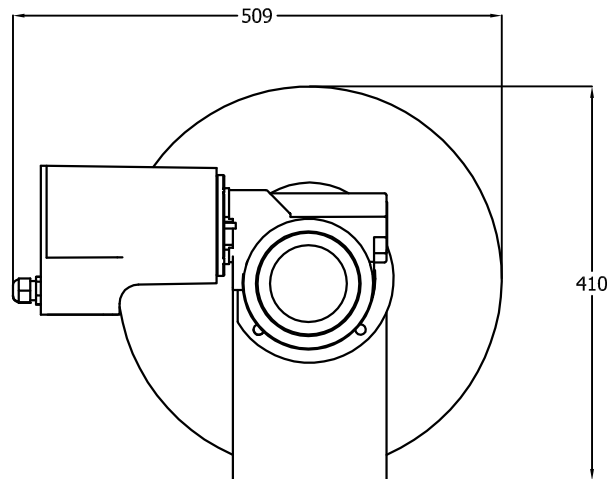
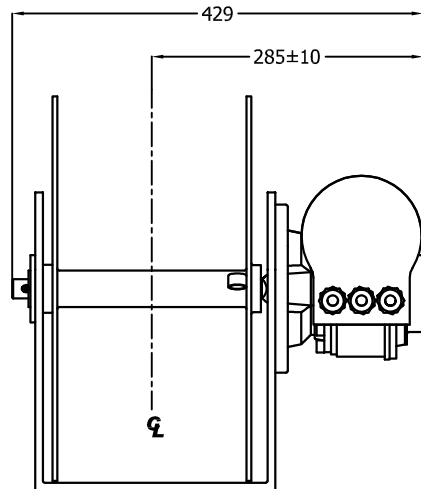
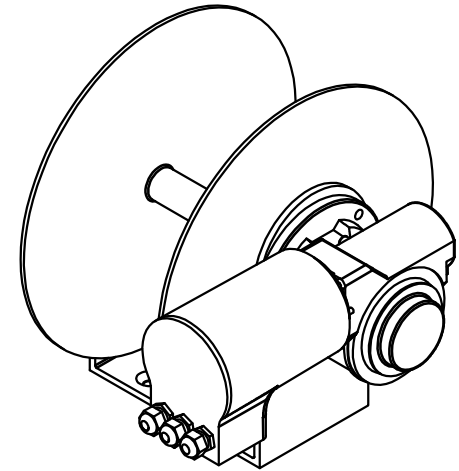


The gearbox mounting holes in the mounting bracket allow the motor and drive to be installed at 4 angles to suit different anchor well configurations. Another 8 minor angle adjustments are available between the gearbox and gearbox flange.



© COPYRIGHT 2008

			TOLERANCES Unless otherwise stated NO DEC. ± 1 DEC. PL ± 2 DEC. PL ± HOLE DIAM. ± ANGLES ±			SCALE Drawn RJR Checked Design OK Approved DATE 2/05/08		MATERIAL 316 Stainless Steel		FINISH Chemically Polished		DO NOT SCALE DIMENSIONS IN MILLIMETRES UNLESS OTHERWISE STATED			
REVISION Issue Ref. Drawn Apprv. Date			stressfree marine Pty Ltd®						NAME Mighty Anchor winch (Large)		DRAWING No.				