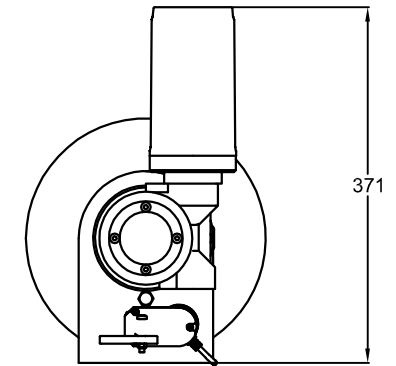
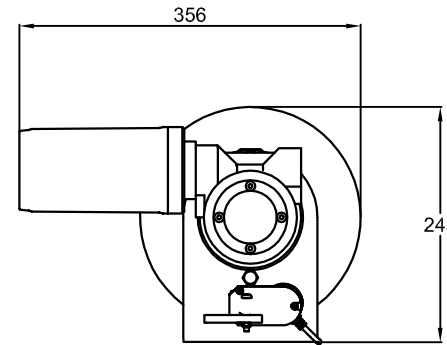
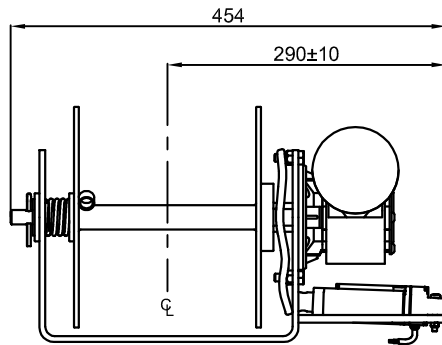
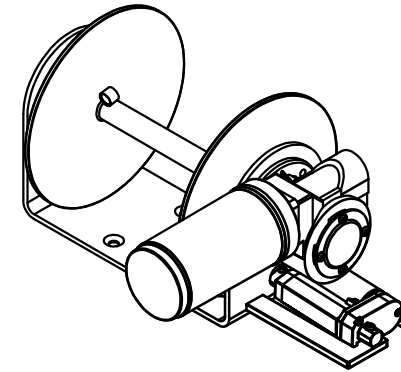


The gearbox mounting holes in the mounting bracket allow the motor and drive to be installed at 4 angles to suit different anchor well configurations. Another 8 adjustment angles are available at 30° and 45° from each of the basic 4 mounting holes.



© COPYRIGHT 2008

			TOLERANCES Unless otherwise stated			SCALE Drawn RJR		MATERIAL 316 Stainless Steel		FINISH Chemically Polished		DO NOT SCALE DIMENSIONS IN MILLIMETRES UNLESS OTHERWISE STATED			
			NO DEC. ±			Checked		<b>stressfree marine Pty Ltd®</b>		NAME NG Mini Extrawide Anchor winch		DRAWING No.			
			1 DEC. PL. ±			Design OK									
			2 DEC. PL. ±			Approved									
			HOLE DIAM. ±			DATE 27/10/08									
Issue	Ref.	REVISION	Drawn	Apprv.	Date	ANGLES ±									